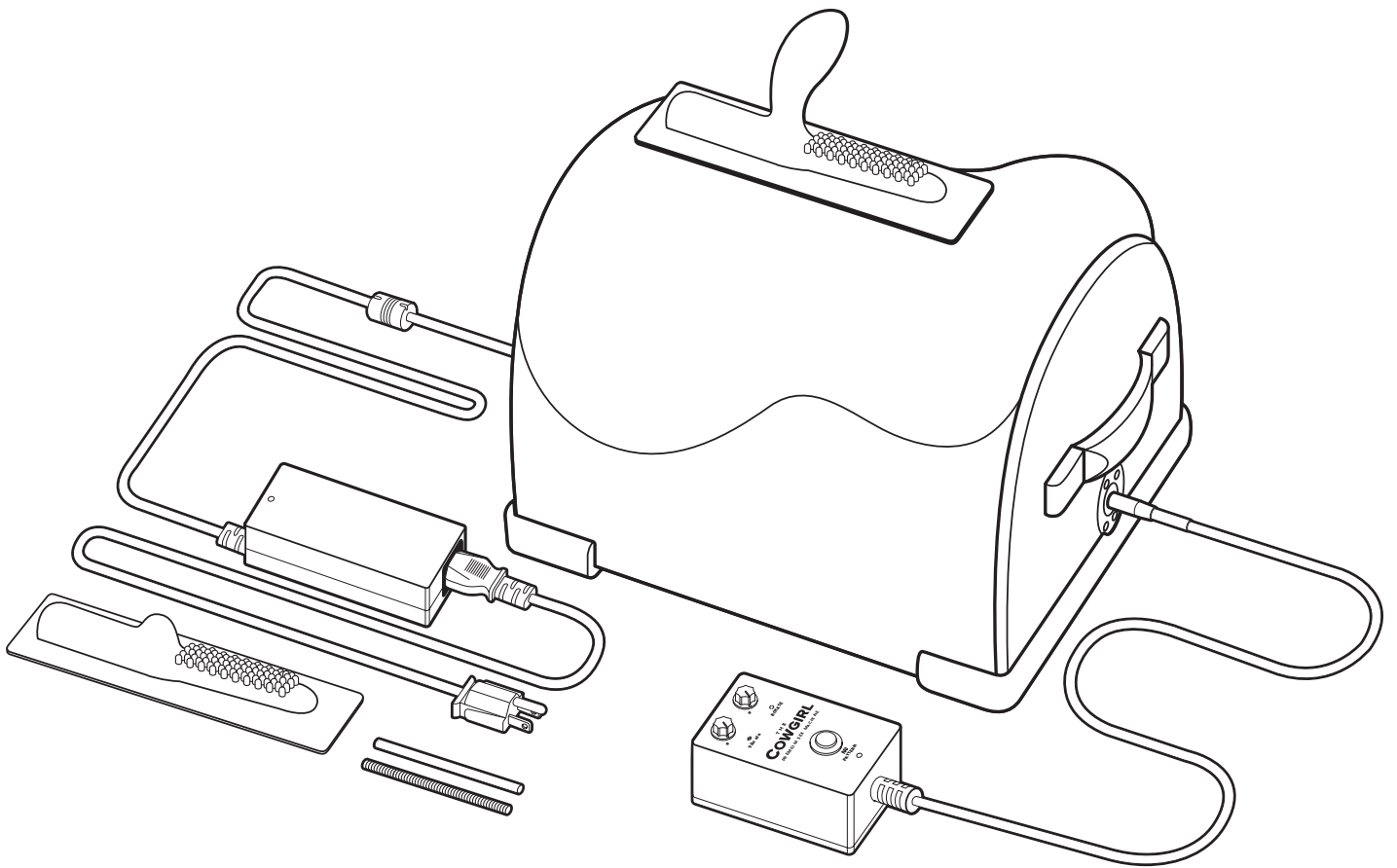


THE **COWGIRL**™

PREMIUM SEX MACHINE

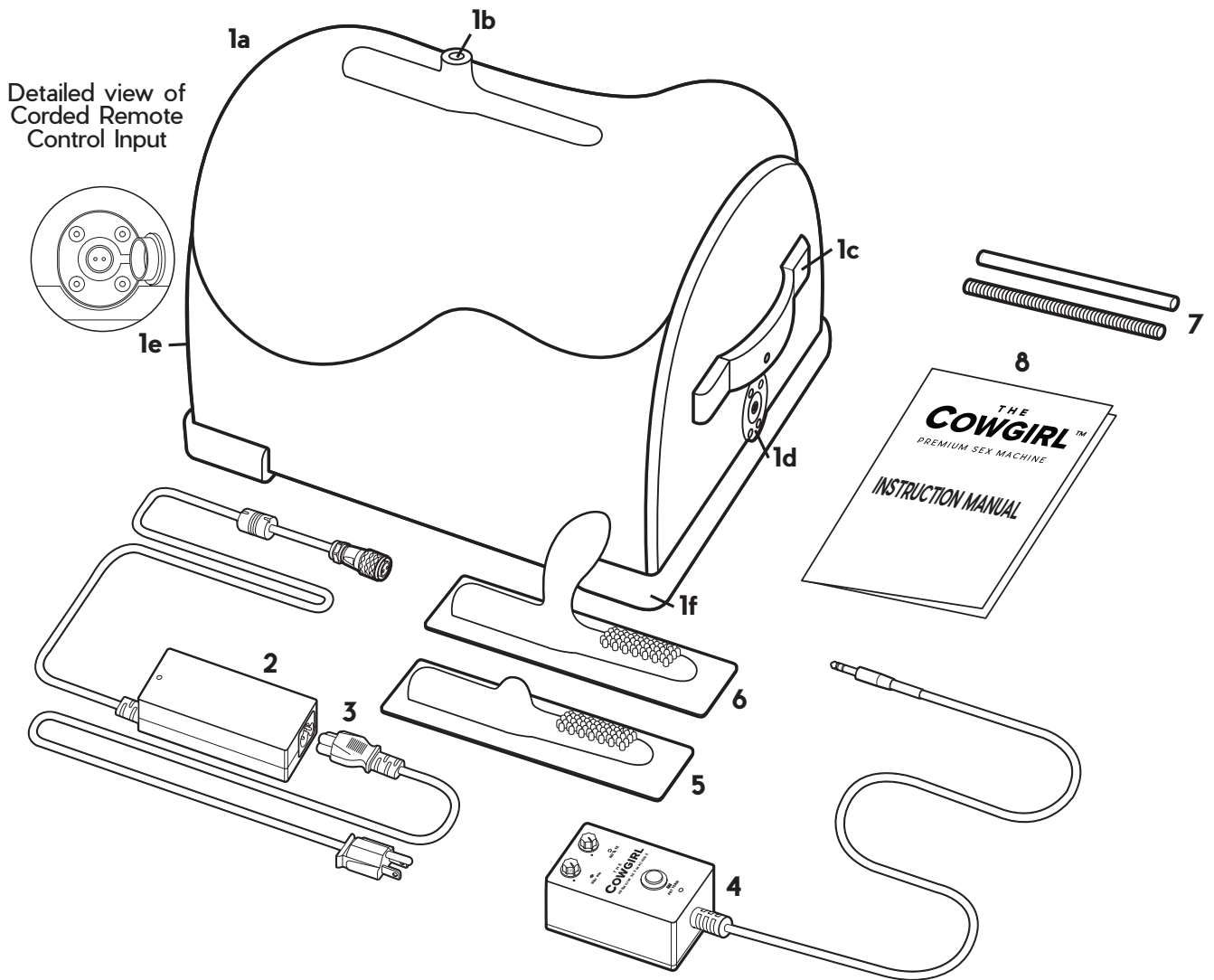


INSTRUCTION MANUAL

**Congratulations on your purchase of THE COWGIRL™.
Get ready for the ride of your life.**

Please read this manual thoroughly before use and keep it for future reference.

OVERVIEW



1. Sex Machine

- a. Handcrafted Saddle Seat
- b. Contact Piece
- c. Durable Handles
- d. AC/DC Switching Adapter Input
- e. Corded Remote Control Input
- f. Slip Resistant Silicone Base

2. AC/DC Switching Adapter

3. Detachable Power Cord

(North America, UK, EU & Australia cords included)

4. Corded Remote Control

5. Rawhide Silicone Attachment

6. Wild West Silicone Attachment

7. Spring & Plastic Stems (x6 each)

8. Instruction Manual

BASIC OPERATING FEATURE

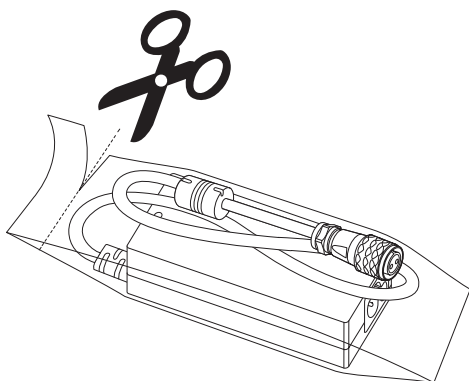
Before first use, clean your sex machine with a damp washcloth. Wash the silicone attachments with warm water and mild soap that is suitable for use with silicone items. All components should be completely dry before operating the **Sex Machine**.

THE COWGIRL™ must be used with a silicone attachment. Never use the sex machine without an attachment.

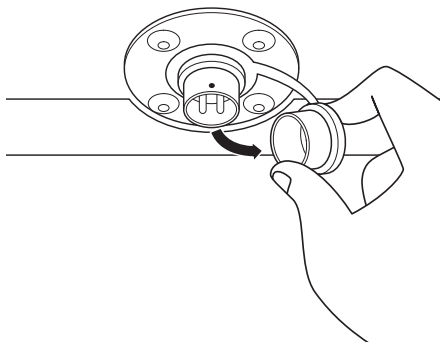
Always use **THE COWGIRL™** on a flat surface that is stable and safe for play.

GETTING STARTED

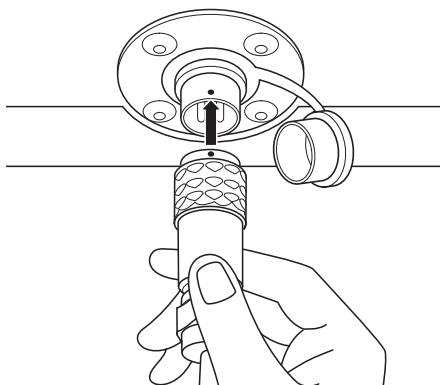
1. Place the **Sex Machine** on a flat surface that is stable and safe for play.
2. Remove the **AC/DC Switching Adaptor** from the packaging.



3. Open the cap of the **AC/DC Plug Input** on the **Sex Machine**.

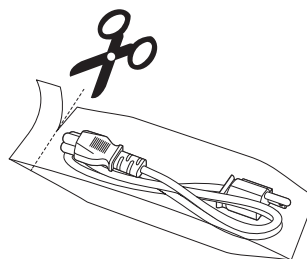


4. Align the red dot of the **AC/DC Switching Adaptor** with the red dot on the **AC/DC Plug Input** on the **Sex Machine**.

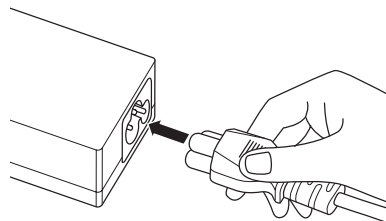


5. Gently push the plug into the input until the plug clicks into position.

6. Remove the **Detachable Power Cord** from the packaging. **Make sure to use the correct power cord for your region.**

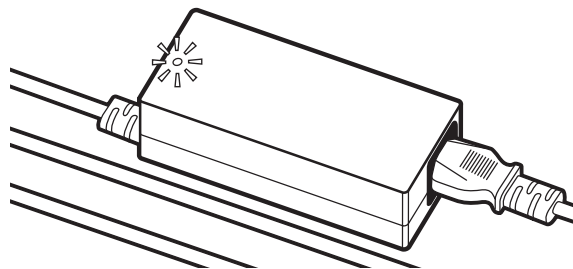


7. Connect the **Detachable Power Cord** to the input of the **AC/DC Switching Adaptor**.



8. Connect the electrical plug of the **Detachable Power Cord** directly into the electrical outlet.

If all cords are properly connected, a red light will illuminate on the back side of the **AC/DC Switching Adaptor** when the **Sex Machine** is turned on.



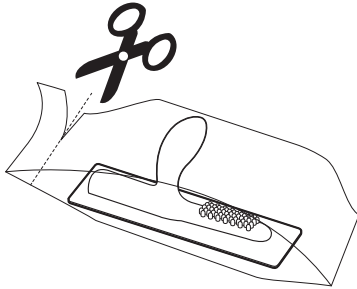
IMPORTANT

1. **ONLY USE THE ADAPTER & CABLES PROVIDED WITH YOUR MACHINE. DO NOT ATTEMPT TO USE OTHER CABLES OR POWER SOURCES.**
2. **NEVER USE AN EXTENSION CORD WITH YOUR ADAPTER.**
3. **MAKE SURE TO USE THE CORRECT POWER CORD FOR YOUR REGION.**
4. **ALWAYS FULLY DISCONNECT POWER SOURCES AFTER USE.**

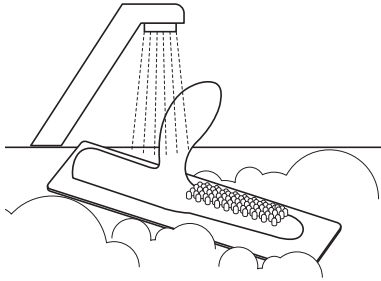
ATTACHMENTS

THE COWGIRL™ must be used with a **Silicone Attachment**. Never use the **Sex Machine** without an attachment.

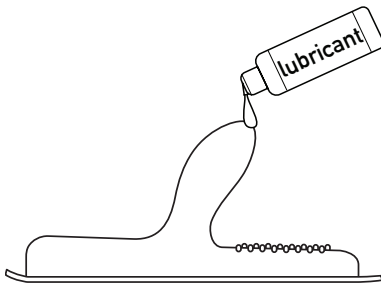
1. Remove the **Silicone Attachments** from the packaging.



2. Wash the **Silicone Attachments** with warm water and mild soap that is suitable for use with silicone items. All components should be completely dry before operating the sex machine.



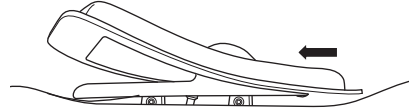
3. We suggest to add a small amount of water-based lubricant on the textured and raised areas of the attachment. *Note that silicone lubricant is not compatible for use with the Silicone Attachments.



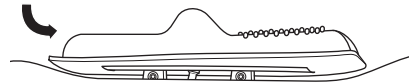
4. Be gentle when connecting the **Silicone Attachments** to the **Contact Piece** to avoid tearing.

Rawhide Silicone Attachment

- i. One side at a time, slowly place the attachment over the **Contact Piece**.



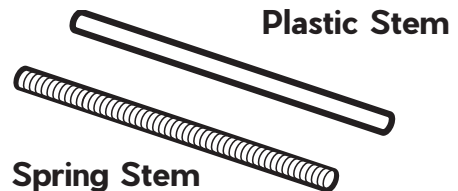
- ii. Both sides of the attachment should be firmly covering the **Contact Piece**.



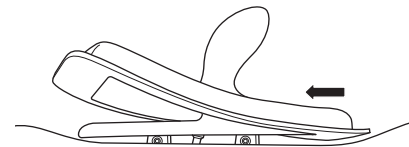
- iii. **Spring & Plastic Stems** should not be used with the **Rawhide Silicone Attachment**.

Wild West Silicone Attachment

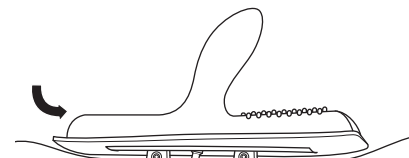
- i. To enable the rotation function, you must use the **Spring or Plastic Stem** with the **Wild West Silicone Attachment**.
 - **Spring Stem**: Choose the **Spring Stem** for flexibility and “give.”
 - **Plastic Stem**: Choose the **Plastic Stem** for a more solid or “stiff” sensation.



- ii. Place the **Spring or Plastic Stem** in the **Stem Input** in the center of the **Contact Piece**.
- iii. Align the **Stem** in the **Attachment** with the **Stem Input** in the center of the **Contact Piece**.
- iv. One side at a time, slowly place the attachment over the **Contact Piece**.



- v. Both sides of the attachment should be firmly covering the **Contact Piece**.



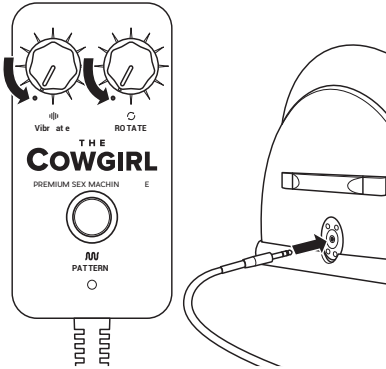
REMOTE CONTROL

THE COWGIRL™ features independent vibration and rotation control. There are six vibration patterns with low to high variable speeds. The rotation features full 360° swivel rotation with low to high variable speeds.

THE COWGIRL™ can be controlled with either the **Corded Remote Control** or **Smartphone App**.

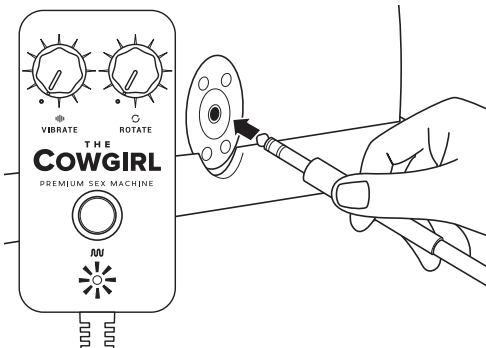
Corded Remote Control

1. Remove the **Corded Remote Control** from the packaging.
2. Before connecting the **Corded Remote Control** make sure that the vibration and rotation settings are turned to the off position.



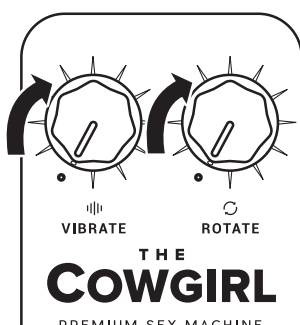
3. Gently push the **Corded Remote Control** plug into the remote control port on the **Sex Machine**.

Once the **Corded Remote Control** has been successfully connected, a red light will illuminate at the base of the remote.

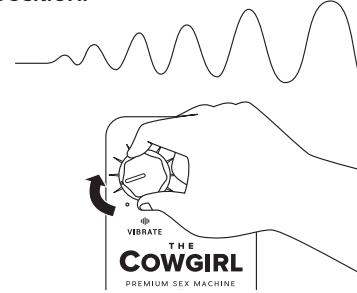


4. Never plug the **Corded Remote Control** into any other device. Never plug anything other than the **Corded Remote Control** into the port on the **Sex Machine**.
5. Vibration and rotation intensity is controlled via the knobs on the top of the **Corded Remote Control**.

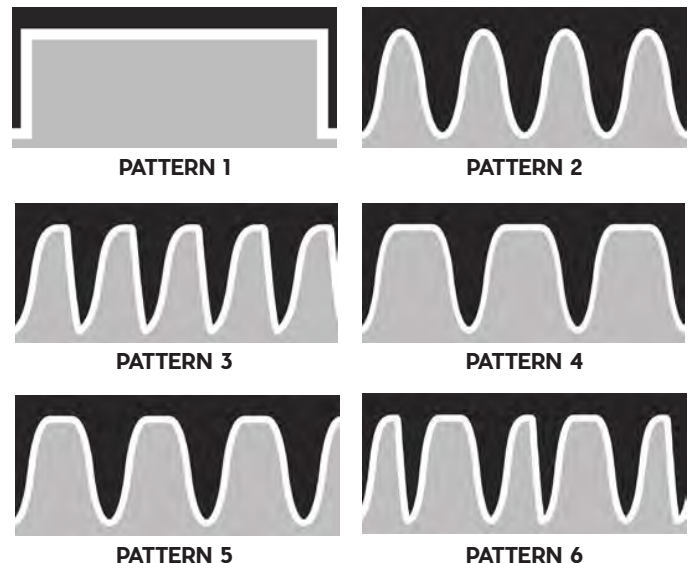
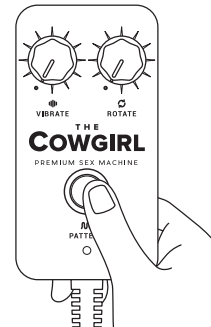
Turn the knobs clockwise to turn on and/or increase the intensity.



6. As the knob is turned, there is an audible click signaling the start of vibration and/or rotation.
7. Turn the knobs counter-clockwise to turn off and/or decrease the intensity. Turn the vibration and rotation "Off" by returning the knobs to the starting position.



8. Press the **Pattern** button to cycle through the 6 unique vibration patterns of **THE COWGIRL™**. To return to the first **Pattern**, simply press and hold the button for 3 seconds.

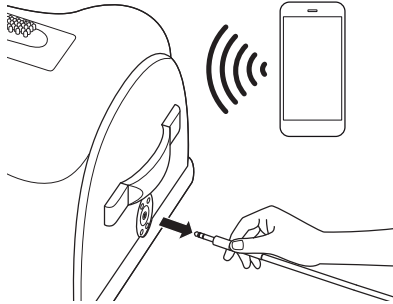


9. It is suggested to turn the vibration and rotation off before unplugging.

⚠ THE COWGIRL™ Smartphone App will only function when the **Corded Remote Control** is disconnected from the **Sex Machine**. Before use, ensure that the **Corded Remote Control** is unplugged from the machine.

Smartphone App

1. **THE COWGIRL™ Smartphone App** will only function when the **Corded Remote Control** is **disconnected from the machine**. Before use, ensure that the **Corded Remote Control** is unplugged from the machine.



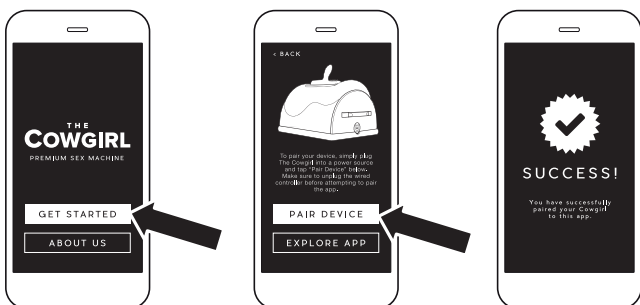
2. Download **THE COWGIRL™ App** by visiting www.ridethecowgirl.com/app
 - If this is the first time you are using **THE COWGIRL™ App**, please take a few moments to review the tutorial.

3. Turn the Bluetooth setting of your smartphone to **ON** or **DISCOVERABLE**.
 - The machine is Bluetooth enabled and ready to pair. It is not necessary to switch the Bluetooth on or off on the machine.

⚠ Do not attempt to connect via Bluetooth from the Settings screen.
 Depending on your version of iOS, **THE COWGIRL™** may not appear in your list of available devices. For most Android versions, **THE COWGIRL™** will appear in your list of available devices. Do not select the device in this screen. Simply go to the app and launch as explained below. Selecting the device in this screen will cause the app to not function properly.

4. Press “Get Started” to begin, then press “Pair Device”. A “Success” message will appear once the devices are paired.

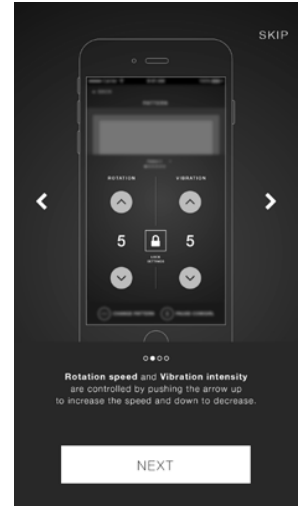
5. The **Smartphone App** functions at an optimal distance of 20 feet / 6 meters.



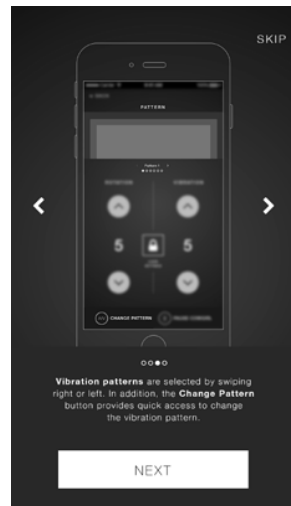
6. Follow the instructions in the **GETTING STARTED** section to begin.



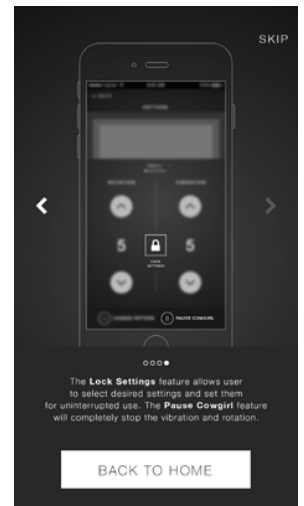
STEP 1



STEP 2



STEP 3



STEP 4

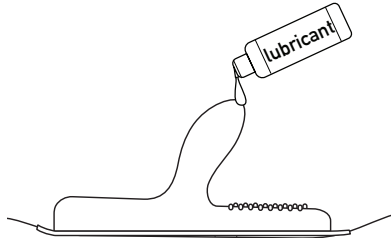
7. If the **Smartphone App** goes out of range of the machine, for your safety:
- i. The **Smartphone App** will be notified that the connection has been dropped and that reconnection must be established.
 - ii. **THE COWGIRL™** will continue to run for 60 seconds - on the existing program - to allow for reconnection.
 - iii. If reconnection is not made within 60 seconds, **THE COWGIRL™** will begin to gradually power down to “off” in the next 20 seconds.

MAINTENANCE

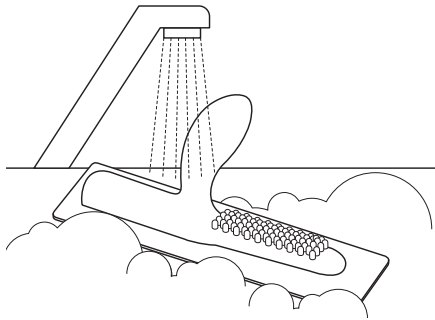
ATTACHMENTS

1. We suggest using water-based lubricant on the textured and raised areas when using the attachments.
 - Silicone lubricant is not compatible for use with the **Silicone Attachments**.

Avoid leaving the attachments in direct sunlight and never expose them to extreme heat.



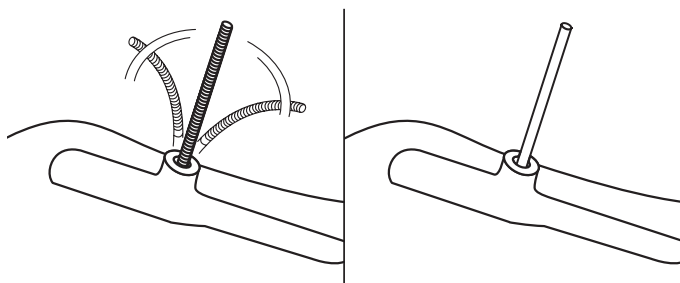
2. Always clean the attachments thoroughly before and after use. Wash the **Silicone Attachments** with warm water and mild soap that is suitable for use with silicone items.



SPRING & PLASTIC STEMS

1. We have provided several extra **Spring & Plastic Stems**. It is important to replace a bent or broken stem. The stem may bend or break under stress.

Do not use any other material as a substitute. Additional **Stems** may be ordered at www.ridethecowgirl.com

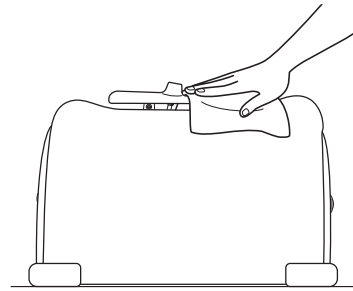


Spring Stem

Plastic Stem

SEX MACHINES

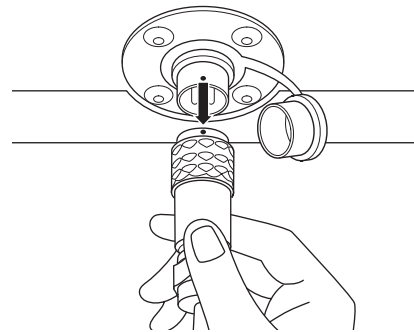
1. Before and after use, clean your **Sex Machine** with a clean, damp cloth. Never wash with water or boiling liquids.



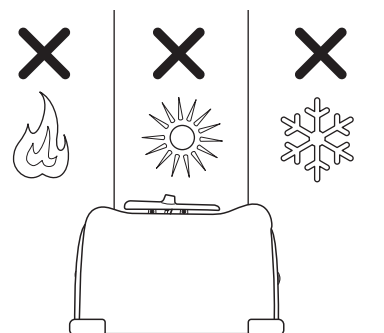
2. Do not use harsh cleansers such as bleaching agents.
3. Do not clean with abrasive cleansing tools. This may scratch and/ or damage the material.
4. Never place in bath, shower, or any area near water.
5. Never submerge in water.

STORAGE

1. Detach the **Corded Remote Control** cord, **Spring or Plastic Stem** (if used), and attachments prior to storage.
2. Disconnect the **Detachable Power Cord** from the electrical outlet immediately after use.



3. Store all components in a cool, dry place.
4. Avoid storing in direct sunlight and never expose to extreme heat or cold.



TROUBLESHOOTING

Having trouble with your **Sex Machine**? Most issues can be fixed by following the steps below.

THE COWGIRL™ WILL NOT POWER ON.

- Ensure that the **Detachable Power Cord** is not connected to an extension cord.
- Ensure that all power cords are properly attached. If all cords are properly connected, a red light will illuminate on the back side of the **AC/DC Switching Adaptor** when the **Sex Machine** is turned on.
- Make sure that there is electricity at the outlet.

THE CORDED REMOTE CONTROL IS NOT WORKING.

- Ensure that the **Corded Remote Control** has been successfully connected. A red light will illuminate at the base of the remote when turned on, to indicate all cords are correctly connected.

THE SMARTPHONE APP IS NOT CONNECTING.

- **THE COWGIRL™ Smartphone App** will only function when the Corded Remote Control is **disconnected** from the **Sex Machine**. Before use, ensure that the **Corded Remote Control** is unplugged from the **Sex Machine**.
- Double check that the Bluetooth setting of your smartphone is ON or DISCOVERABLE.
- Ensure that you are using the **Smartphone App** within 20 feet / 6 metres of **THE COWGIRL™**.



Only one smartphone may be connected to THE COWGIRL™ at any given time. Always disconnect the first device before pairing THE COWGIRL™ with another device.

⚠ Do not attempt to connect via Bluetooth from the Settings screen.

SPECIFICATIONS

Machine Materials:	FRAME: Steel, Aluminium and Plastic Side Cover COVER: 100% PU cover with 100% Silicone bumper BASE: 100% Plastic
Attachment Materials:	100% Silicone
Spring Stem Material:	100% Steel
Plastic Stem Materials:	100% Plastic
Dimensions:	16.7 x 13.4 x 10.9 (LxWxH in inch) / 42.5 x 34 x 27.7 (LxWxH in cm)
Weight:	24.5 lbs / 11.1 kg W/ power adapter (4 styles); transformer; controller; attachments; spring & plastic stems: 28.4 lbs / 12.9 kg
Recommended Use Time:	15 minutes
Max Noise Level:	0.39 in / 1 cm: 108dB 9.84 in / 25 cm: 98dB
Interface:	3 button control
Operation Frequency Range:	2.402 ~ 2.480 GHz
Power Supply:	DC 24V
Product Software Version:	V20161229
Product Hardware Version:	V1.5-161206
iOS App Version:	10.2 or higher
Android App Version:	6.0 or higher

WARRANTY

Warranty covers all defects in workmanship or materials under normal usage and care for a period of 1 year from the date of purchase. Original proof-of-purchase is required to obtain warranty services and you must register the product prior to use at www.ridethecowgirl.com/warranty.

Never attempt to repair **THE COWGIRL™** yourself. The warranty will be void if the product is subjected to abnormal use or conditions, accident, mishandling, neglect, unauthorized alteration, misuse, improper installation or repair, or storage.

For any warranty inquiries or return information, email customerservice@ridethecowgirl.com. **THE COWGIRL™** is not responsible for loss or damage of a returned product.

RADIO EQUIPMENT DIRECTIVE (RED)

DECLARATION OF CONFORMITY

Hereby, **THE COWGIRL™** declares that this **Sex Machine** product is in compliance with essential requirements and other relevant provisions of Directive 2014/53/EU.

A copy of the Declaration of conformity can be found at www.ridethecowgirl.com.

FCC STATEMENT

This device complies with part 15 of the FCC Rules. Operation is subject to the following two conditions:

(1) This device may not cause harmful interference, and **(2)** this device must accept any interference received, including interference that may cause undesired operation.

Any changes or modifications not expressly approved by the party responsible for compliance could void the user's authority to operate the equipment.

Note: This equipment has been tested and found to comply with the limits for a Class B digital device, pursuant to part 15 of the FCC Rules. These limits are designed to provide reasonable protection against harmful interference in a residential installation. This equipment generates uses and can radiate radio frequency energy and, if not installed and used in accordance with the instructions, may cause harmful interference to radio communications. However, there is no guarantee that interference will not occur in a particular installation. If this equipment does cause harmful interference to radio or television reception, which can be determined by turning the equipment off and on, the user is encouraged to try to correct the interference by one or more of the following measures:

- Reorient or relocate the receiving antenna.

- Increase the separation between the equipment and receiver.

- Connect the equipment into an outlet on a circuit different from that to which the receiver is connected.

- Consult the dealer or an experienced radio/TV technician for help.

***RF warning for Portable device:**

The device has been evaluated to meet general RF exposure requirement. The device can be used in portable exposure condition without restriction.



CAUTION

ANY CHANGES OR MODIFICATIONS NOT EXPRESSLY APPROVED BY PARTY RESPONSIBLE FOR COMPLIANCE COULD VOID THE USER'S AUTHORITY TO OPERATE THE EQUIPMENT.

WARNING AGAINST MISUSE

1. For adult use only. For external use only. Remove any loose clothing or jewelry before use.
2. **THE COWGIRL™** is safe for use up to 400 lbs / 181 kg.
3. Always unplug **THE COWGIRL™** from the outlet immediately after use.
4. Do not attempt to modify or dismantle the product.
5. Do not use **THE COWGIRL™** during an electrical storm.
6. Never use **THE COWGIRL™** without an attachment.
7. Never plug the **Corded Remote Control** into any other device.
8. Never plug anything other than the **Corded Remote Control** into the port on the **Sex Machine**.
9. Do not attempt to carry the product by power cord, or use power cord as a handle.
10. Do not place **THE COWGIRL™** in or near water. Never wash with water or boiling liquids. Clean thoroughly only with a damp cloth before and after each use.
11. Not recommended for continued use longer than 15 minutes, and suggested to allow the unit to rest for 30 minutes between use.
12. Never use the product near a source of heat or while smoking. Do not use product under a blanket or pillow. Keep all air openings free of lint, hair etc. and make sure not to operate in condition where air openings may become blocked.
13. This item is not to be used by persons (including children) with reduced physical, sensory, or mental capabilities. Any person who is unable to operate this product by themselves should not use this product. Any person who is pregnant, has a pacemaker, suffers from diabetes, phlebitis and/or thrombosis, who has an increased risk of developing blood clots, has pins, screws or artificial joints or other implanted medical devices should consult a medical professional before use. Do not use on skin that is swollen, inflamed, blistered or broken. Do not use on head, face, chest, stomach or osseous body parts.
14. This is not a medical device. **THE COWGIRL™** is for novelty use only. No medical claims are warranted or implied by the use of this product.

If you experience any discomfort during use, discontinue use immediately and consult your health care professional.

DISPOSAL INFORMATION

DISPOSAL OF OLD ELECTRONIC EQUIPMENT (APPLICABLE IN THE EU AND OTHER EUROPEAN COUNTRIES WITH SEPARATE WASTE COLLECTION SYSTEMS):



RoHS
2011/65/EC



The crossed-out dustbin symbol indicates that these items should not be treated as household waste, but rather brought to the appropriate collection point for recycling electrical and electronic equipment

www.ridethecowgirl.com